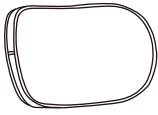


Chloe Dining Chair

Part # CH-CHLOE XX+XX

19-0423

PARTS



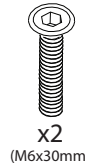
A



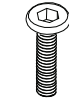
B



C



x2
(M6x30mm)
D

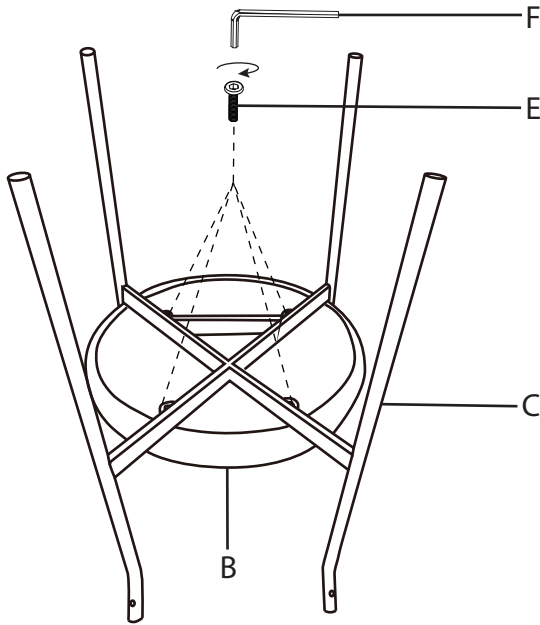


x4
(M6x16mm)
E

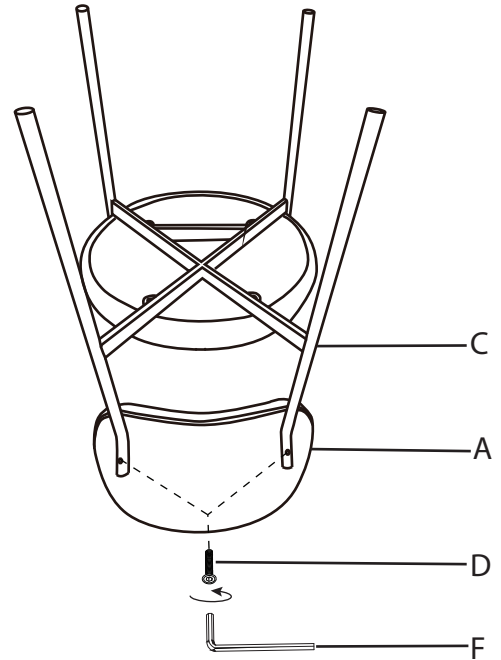


F

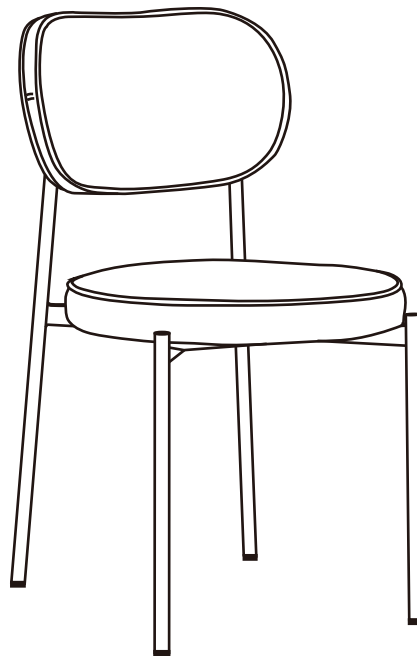
1



2



3



Do not over tighten.
 Do not use power tools to assemble.